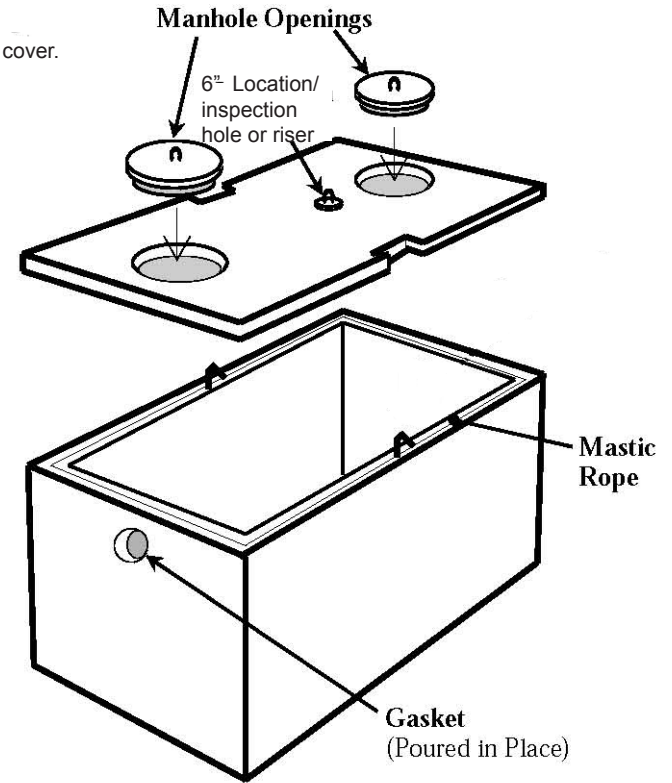
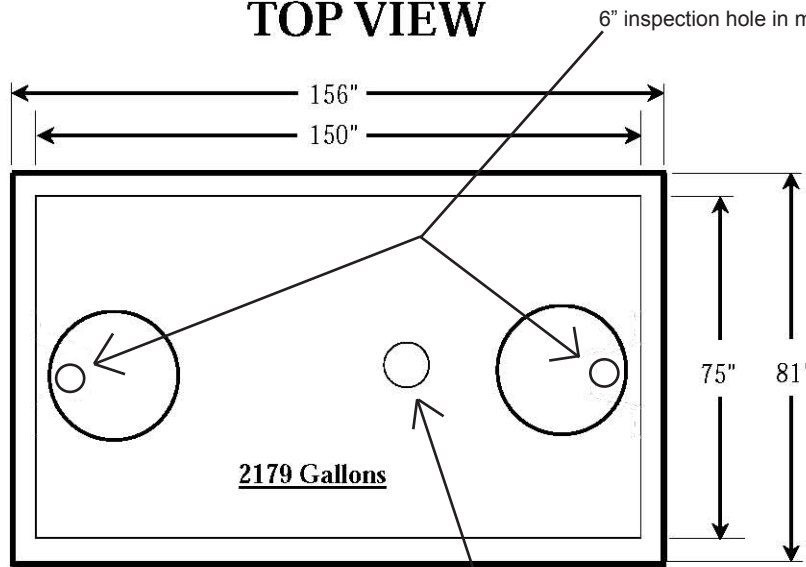


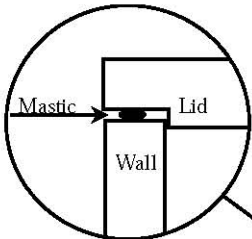
Notes:

1. Surface cover over manhole 12" maximum.
2. Risers may be cast into tank cover to extend manhole opening if needed. Maximum cover 12" above riser.
3. If cover is more than 12" a 6" inspection riser is placed on cover.

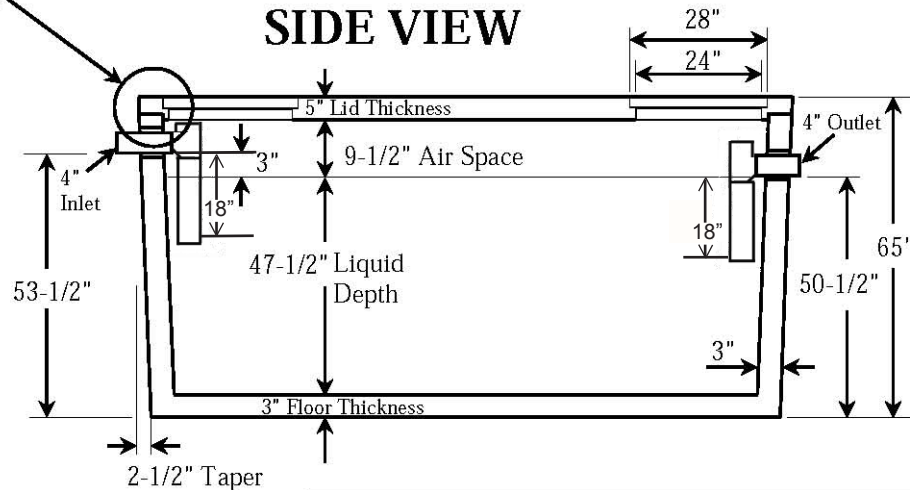
TOP VIEW



Enlarged Detail



SIDE VIEW



2000 Gallon Single Compartment
Septic Tank

SI Precast Concrete Products
10965 Granada Lane Suite 300
Overland Park, KS 66211
800-330-1869
www.siprecast.com

Scale: None

Drawn by: KW

Date: 5/5/10

Rev. #

Drawing #