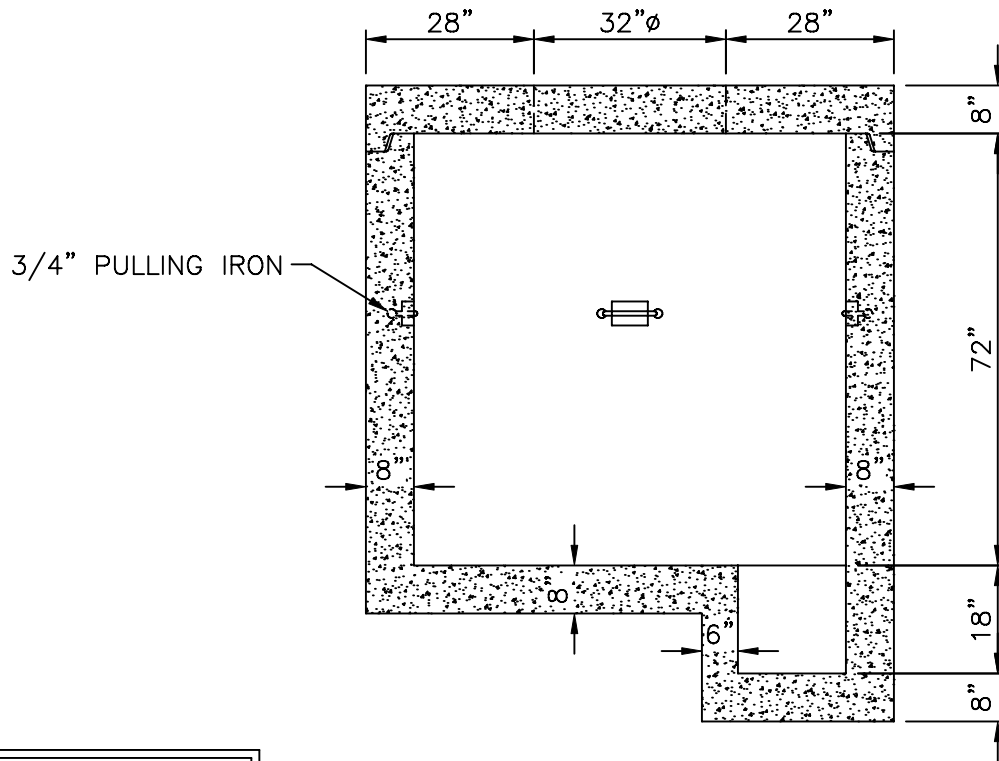
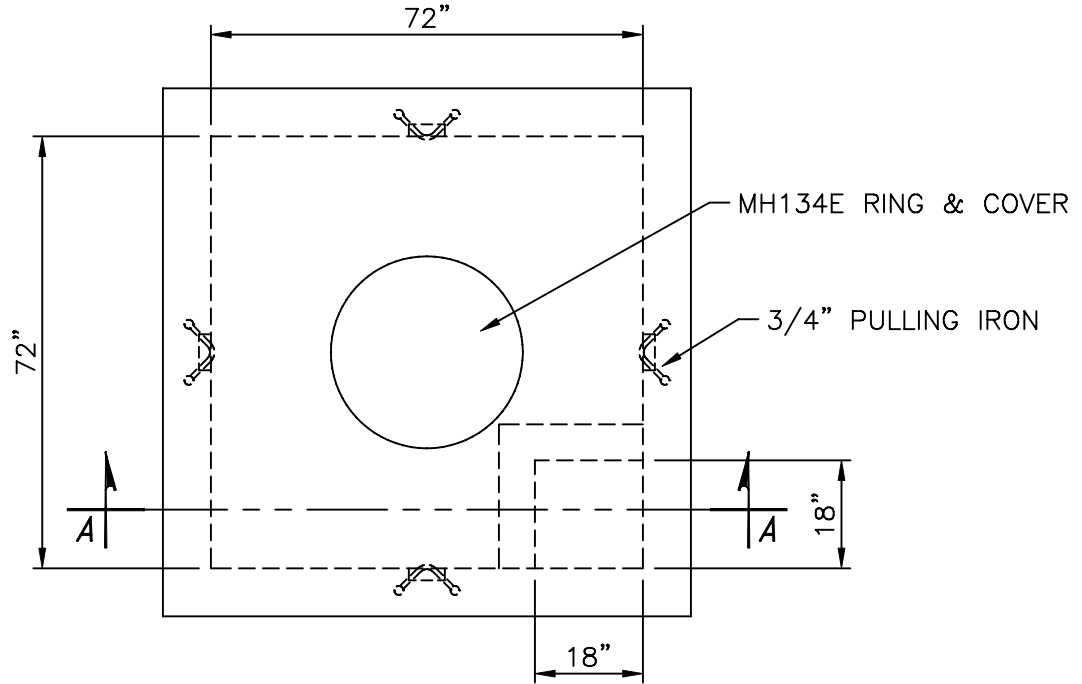




8650 Box Rd.  
 Shreveport, LA 71106  
 Phone: 318-869-2085  
 Fax: 318-869-2098  
 800-456-1970



SECTION "A"-"A"

USE RAM-NEK SEALANT  
 ON ALL JOINTS.

5000 P.S.I. CONC.  
 REINF.: #5 BARS ON 12"  
 CENTERS, EACH WAY.

<b>6' x 6' MANHOLE</b>	
DRAWN BY: KWD	APP'D BY: SA
DATE: 8/3/07	SCALE: 3/8"=1'-0"