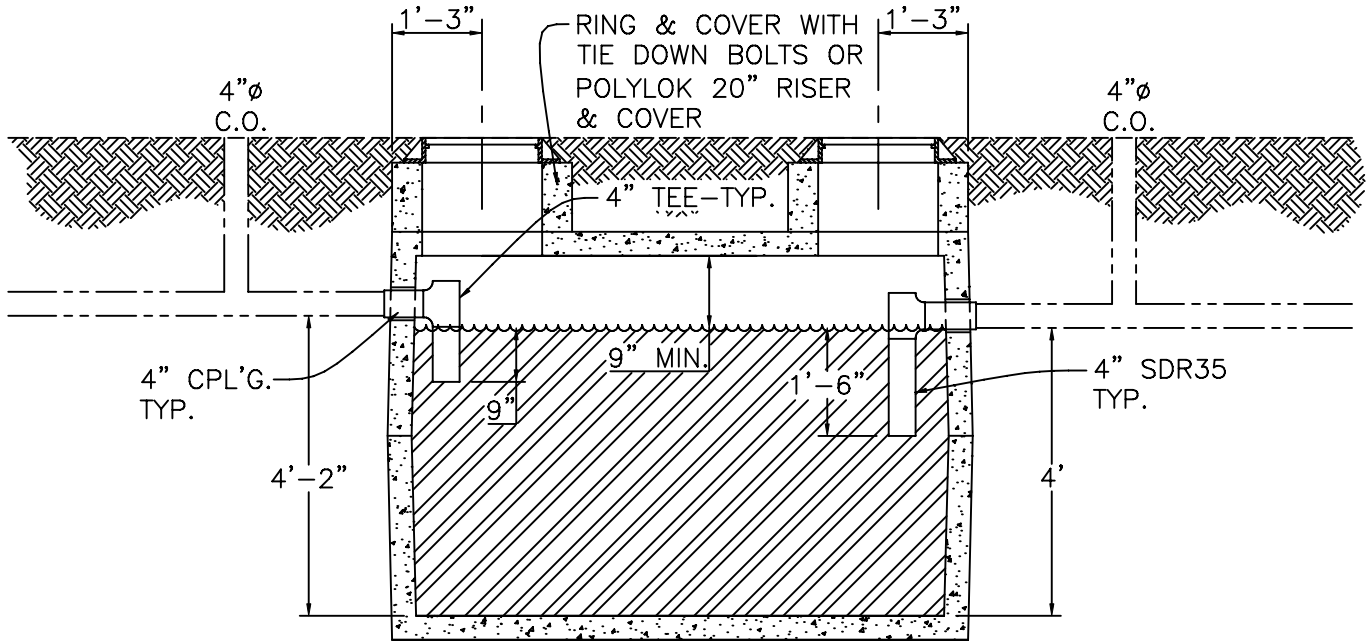
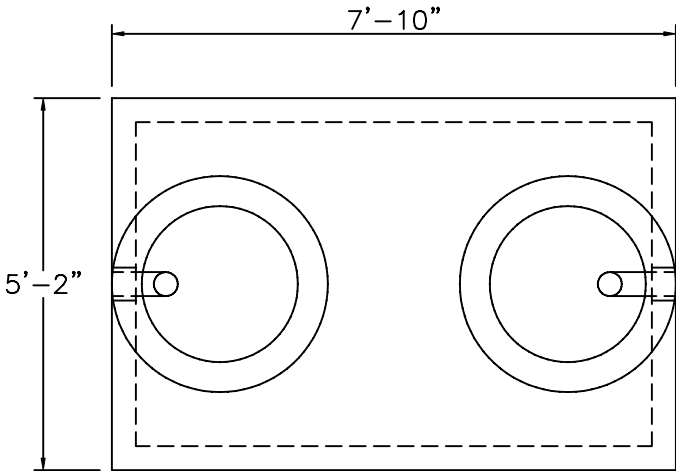


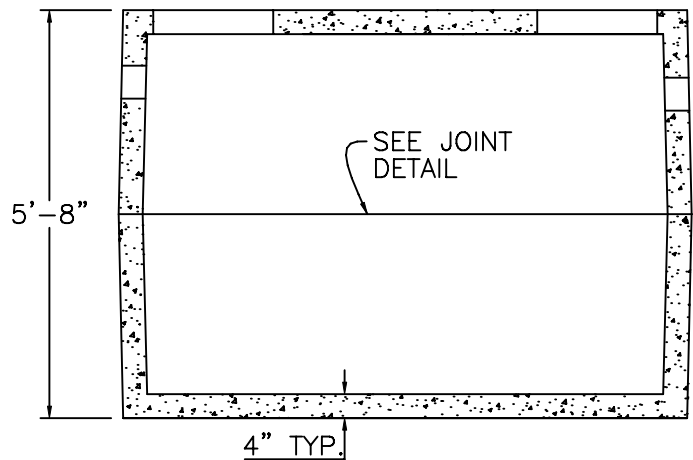
4500 P.S.I. CONC. @ 28 DAYS.  
REINF. 4X4 4/4 WELDED WIRE FABRIC CONFORM  
TO ASTM SPECIFICATION A-185 AND #4 DEFORMED  
BARS CONFORM TO ASTM SPECIFICATION A 615



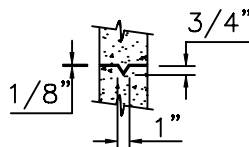
SCHMATIC



PLAN VIEW



LONG SECTION



JOINT DETAIL

JOINT SEALANT IS RAM-NEK PREFORMED  
FLEXIBLE PLASTIC GASKET CONFORM TO  
ASTM SPECIFICATION C 990-91

<b>1000 Gal. SEPTIC TANK</b>	
DRAWN BY: KWD	APP'D BY: SN
DATE: 8/15/07	SCALE: 3/8"=1'-0"