



# 1200 GAL. TWO COMPARTMENT SEPTIC TANK

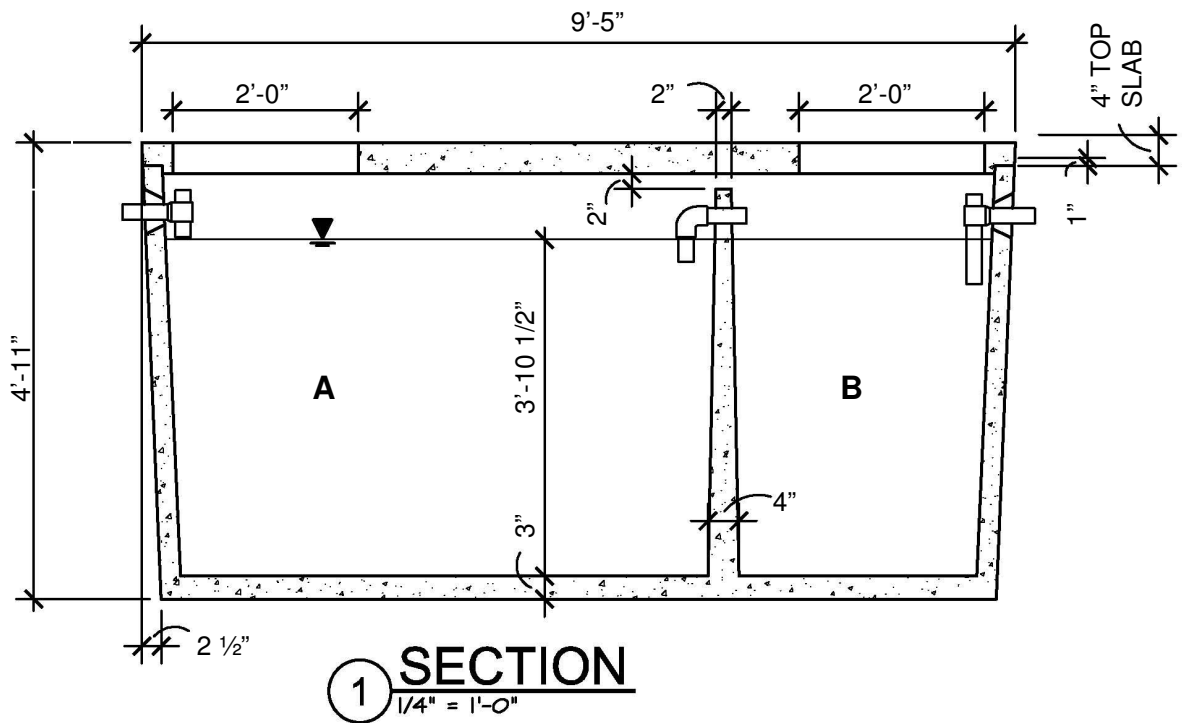
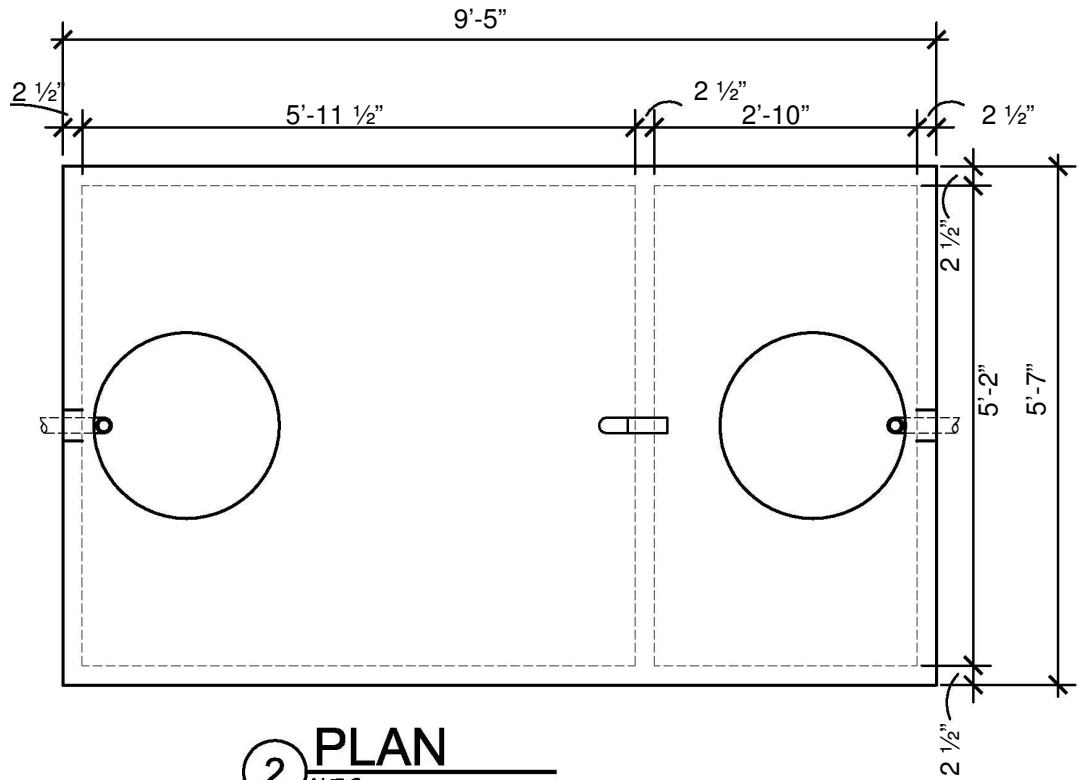
Stock #: 701055

Monolithic Tank Meets ASTM-C-1227 Spec. for water and wastewater tanks

Minimum Concrete Compressive Strength 5,000 PSI

Butyl rubber sealant between base and lid

Inlet= 49 1/2"  
Outlet= 46 1/2"



| <b>YOUR TOTAL WASTEWATER SOLUTION</b>                    | <b>First Compartment (A)</b> | <b>Second Compartment (B)</b> | <b>Gallons / inch Compartment(B)</b> | <b>Approximate weight</b> |
|--|------------------------------|-------------------------------|--------------------------------------|---------------------------|
| <a href="http://www.siprecast.com">www.siprecast.com</a> | 950 gal.                     | 424 gal.                      | 9 gal. / inch                        | 12,000 lbs.               |