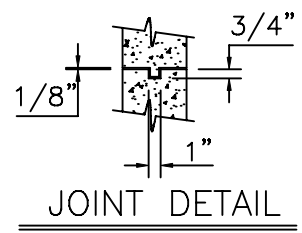
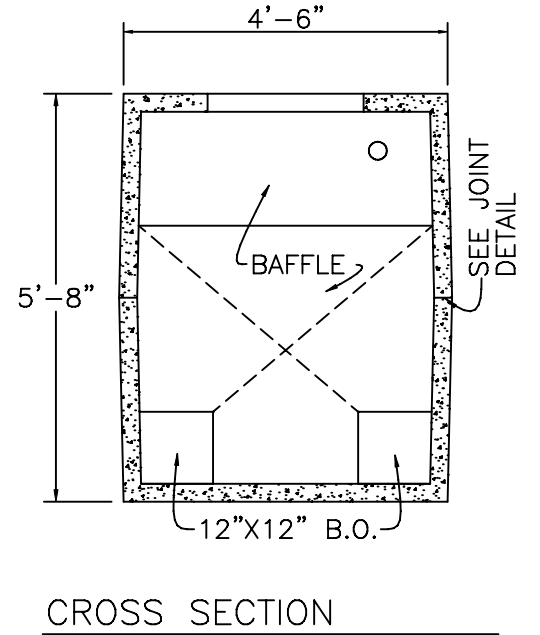
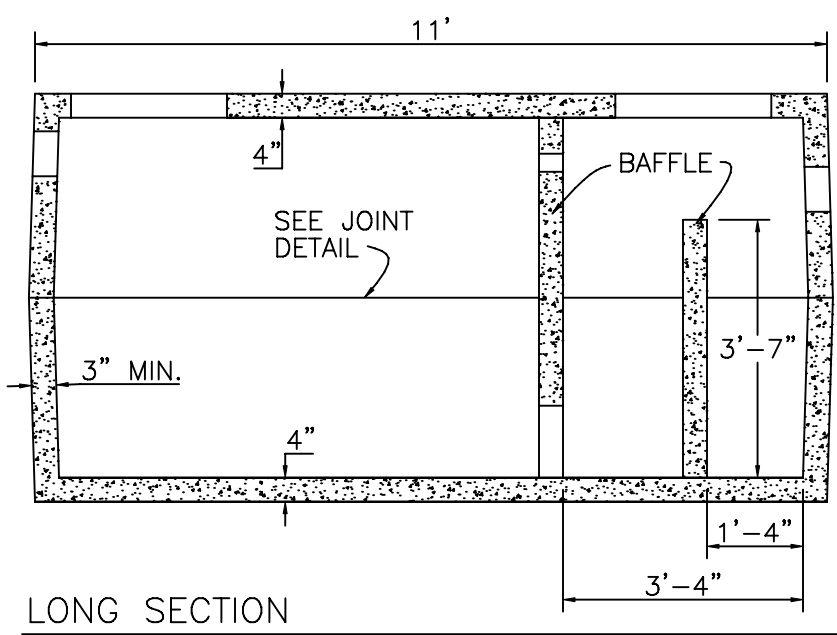
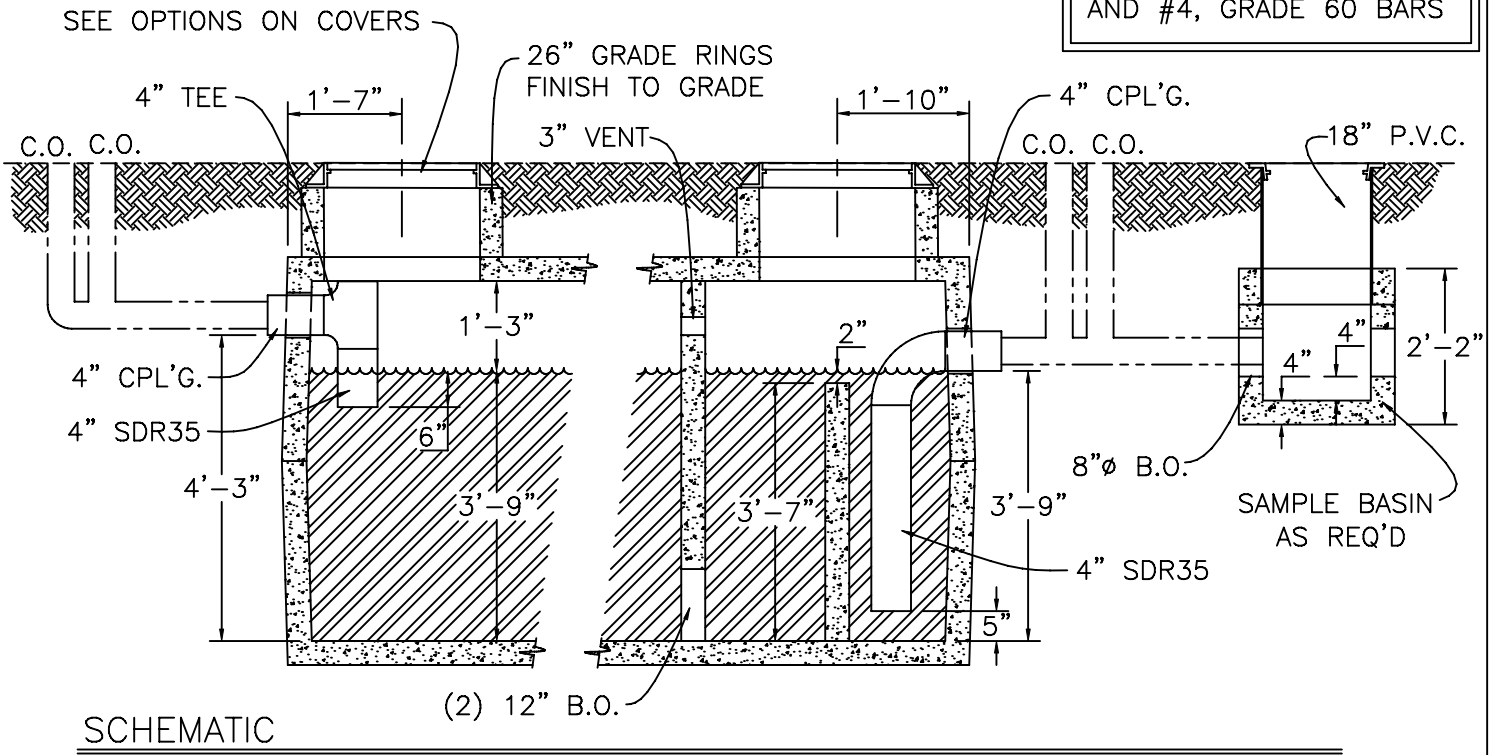


DESIGN SPECIFICATION ASTM C 913.
NOT DESIGNED FOR TRAFFIC LOADING.
CALL US FOR SPECIAL SITUATION

4500 P.S.I. CONC.
REINF. 4X4 4/4 WIRE
AND #4, GRADE 60 BARS



1350 Gal. GREASE INTERCEPTOR	
DRAWN BY: KWD	APP'D BY: SN
DATE: 10/18/06	SCALE: 3/8"=1'-0"