



# 1500 GAL. TWO COMPARTMENT SEPTIC TANK

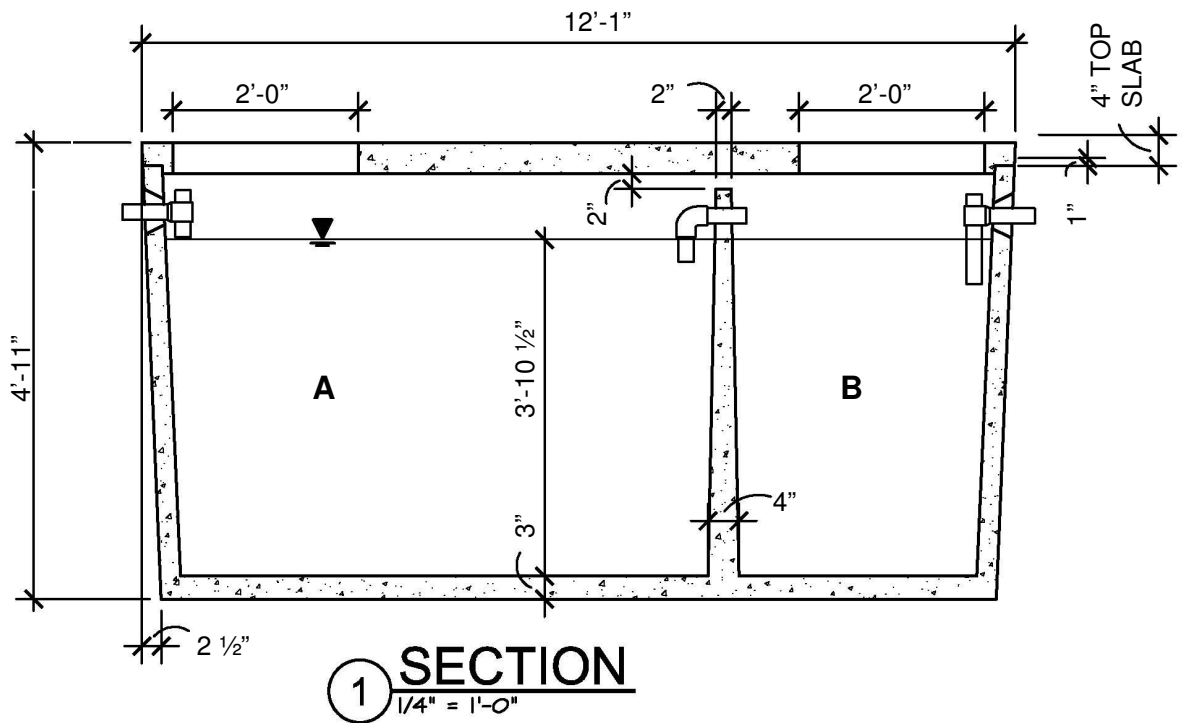
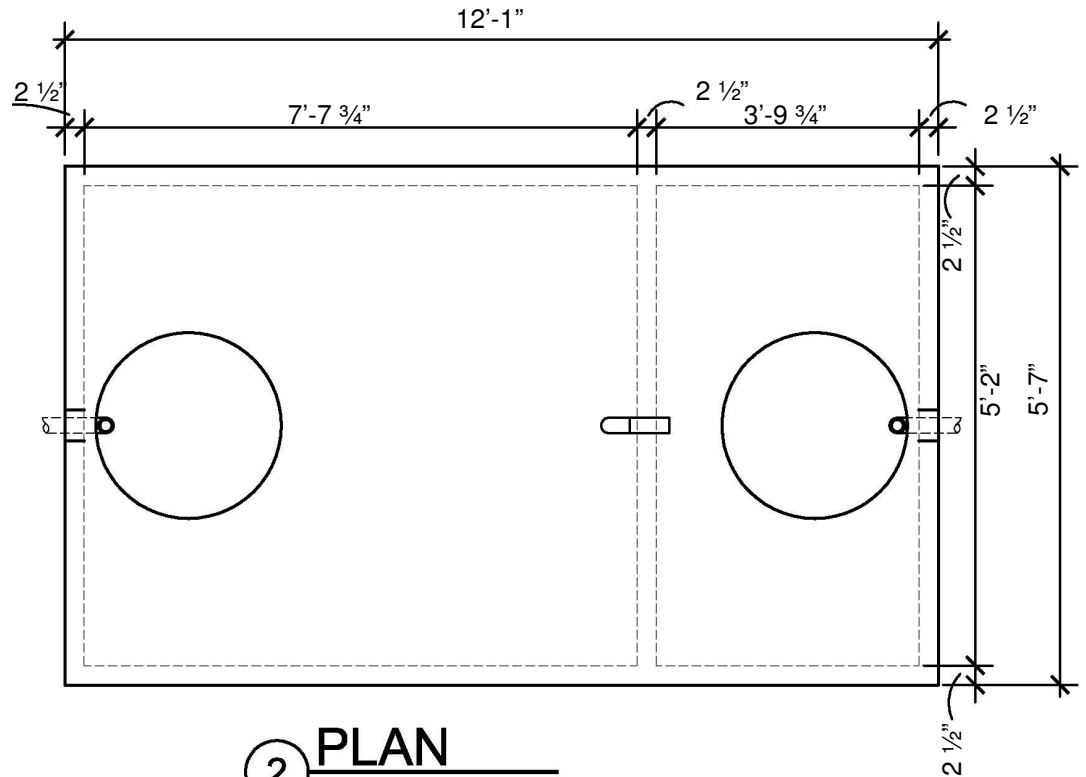
Stock #: 701025

Monolithic Tank Meets ASTM-C-1227 Spec. for water and wastewater tanks

Minimum Concrete Compressive Strength 5,000 PSI

Butyl rubber sealant between base and lid

Inlet= 49 1/2"  
Outlet= 46 1/2"



<b>YOUR TOTAL WASTEWATER SOLUTION</b>	<b>First Compartment (A)</b>	<b>Second Compartment (B)</b>	<b>Gallons / inch Compartment(B)</b>	<b>Approximate weight</b>
<a href="http://www.siprecast.com">www.siprecast.com</a>	1219 gal.	571 gal.	12.3 gal. / inch	12,500 lbs.