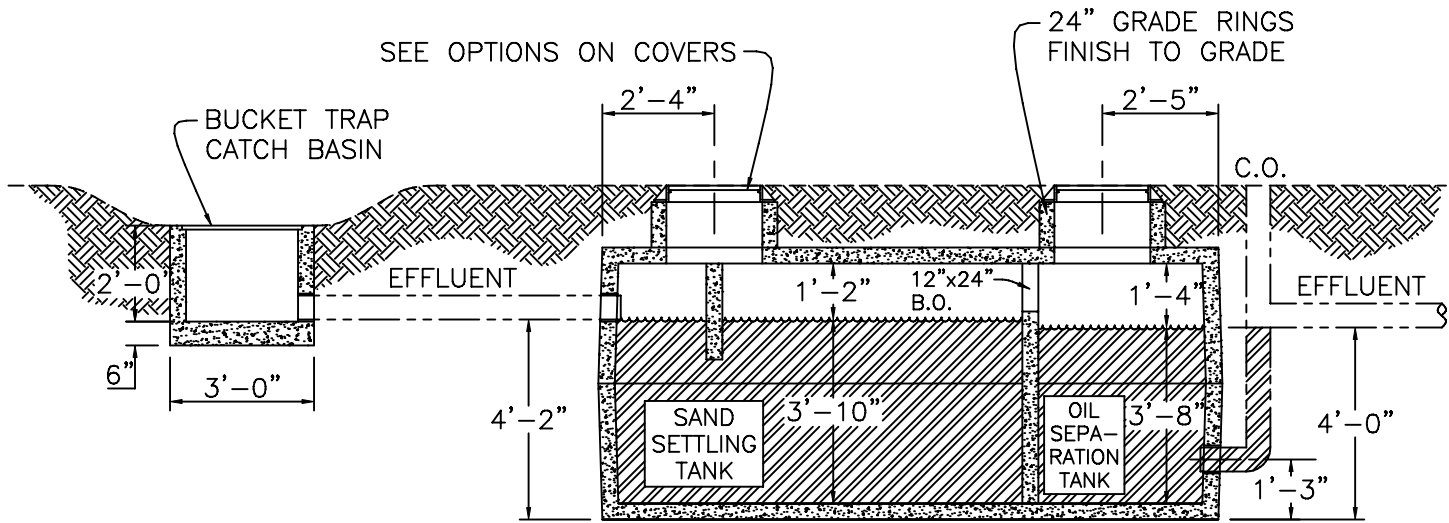




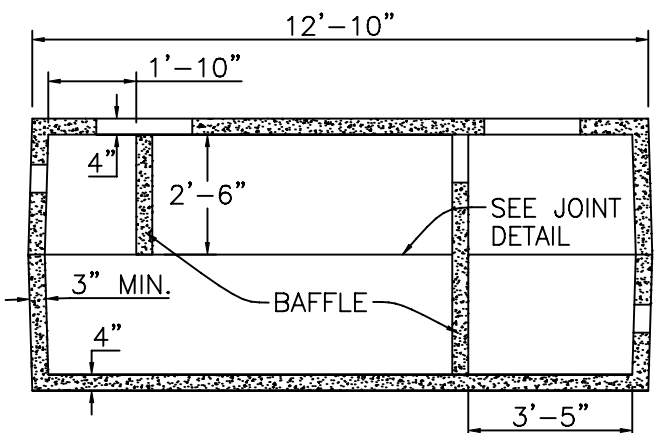
8650 Box Rd.  
 Shreveport, LA 71106  
 Phone: 318-869-2085  
 Fax: 318-869-2098  
 800-456-1970

DESIGN SPECIFICATION ASTM C 913.  
 NOT DESIGNED FOR TRAFFIC LOADING.  
 CALL US FOR SPECIAL SITUATION

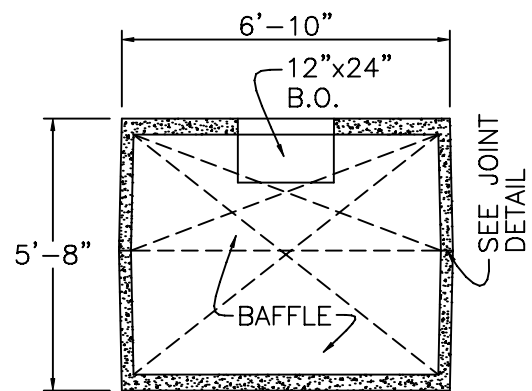
4500 P.S.I. CONCRETE  
 REINF. 4x4 4/4 WIRE  
 AND #4, GRADE 60 BARS



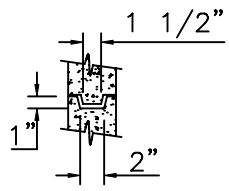
SCHEMATIC



LONG SECTION



CROSS SECTION



JOINT DETAIL

<b>2000 Gal. SAND/OIL INTERCEPTOR</b>	
DRAWN BY: KWD	APP'D BY: SN
DATE: 7-25-07	SCALE: 1/4"=1'-0"