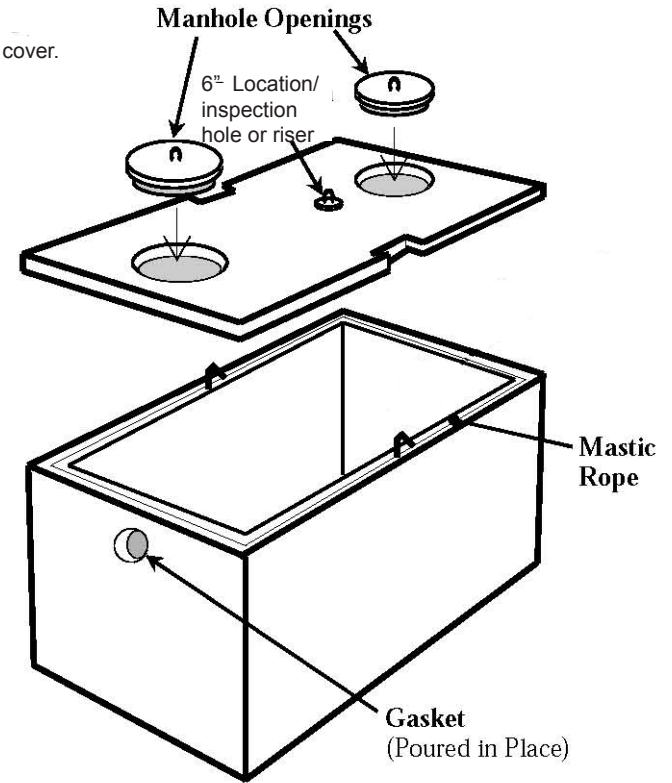
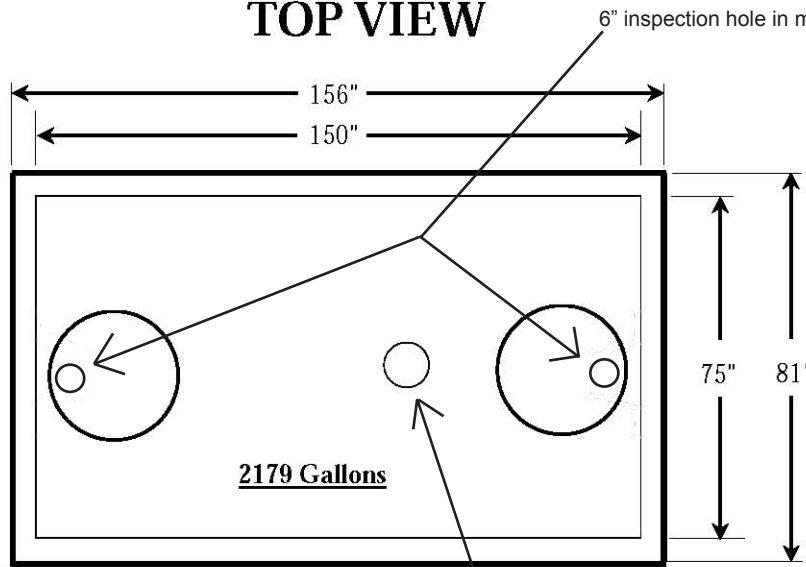


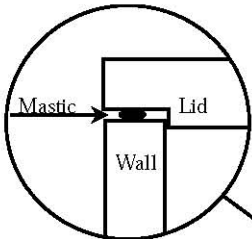
Notes:

1. Surface cover over manhole 12" maximum.
2. Risers may be cast into tank cover to extend manhole opening if needed. Maximum cover 12" above riser.
3. If cover is more than 12" a 6" inspection riser is placed on cover.

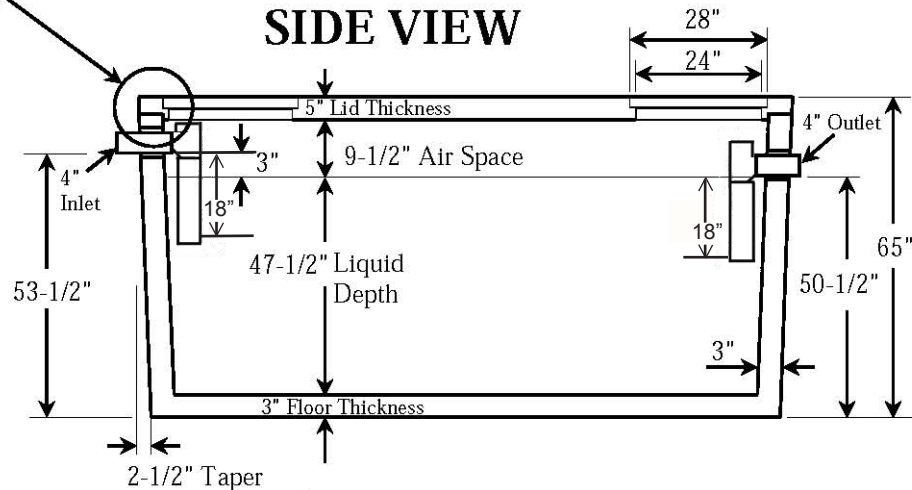
### TOP VIEW



### Enlarged Detail



### SIDE VIEW



2000 Gallon Single Compartment  
Septic Tank

SI Precast Concrete Products  
10965 Granada Lane Suite 300  
Overland Park, KS 66211  
800-330-1869  
www.siprecast.com

Scale: None

Drawn by: KW

Date: 5/5/10

Rev. #

Drawing #