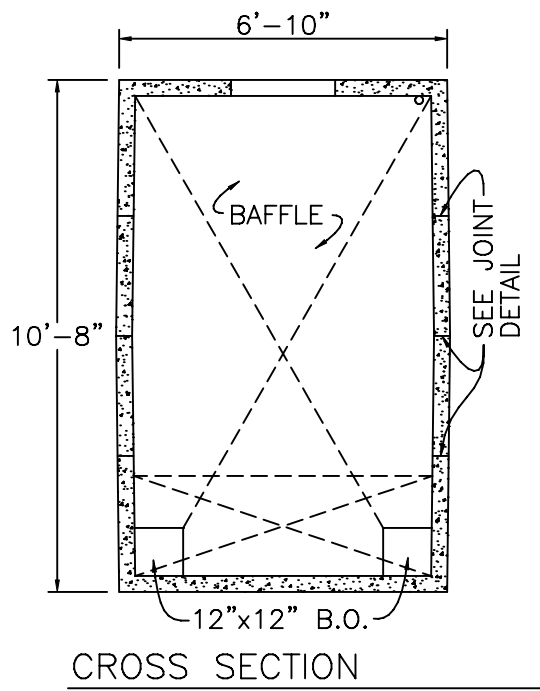
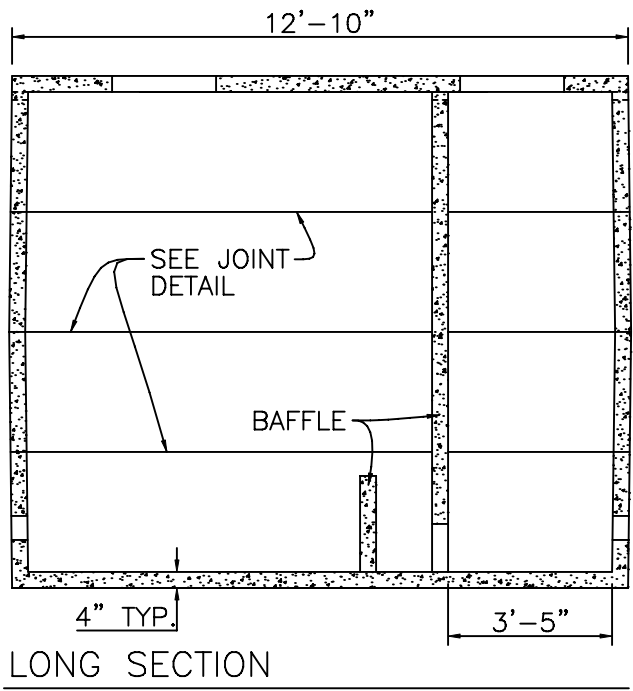
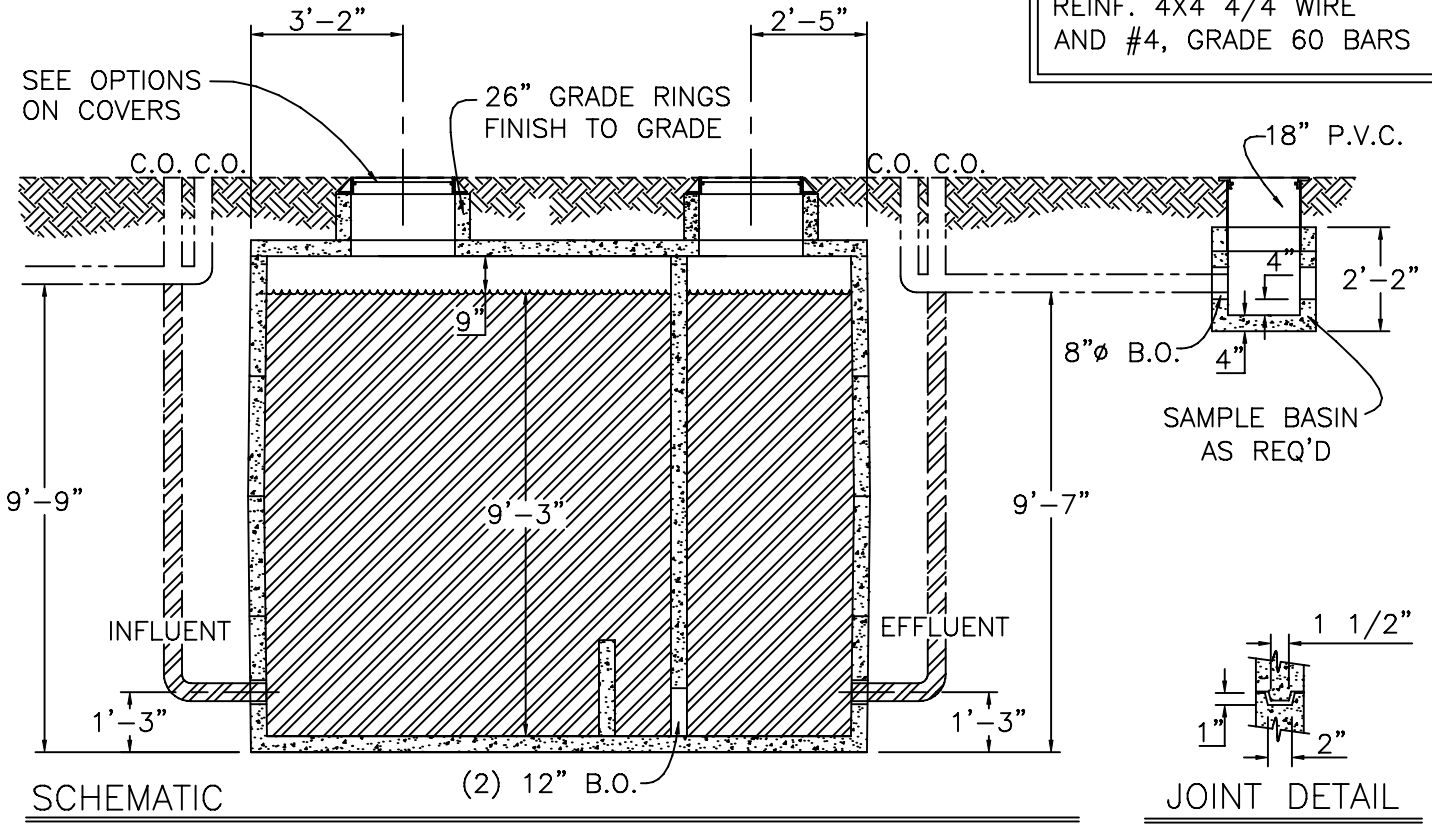


DESIGN SPECIFICATION ASTM C 913.  
NOT DESIGNED FOR TRAFFIC LOADING.  
CALL US FOR SPECIAL SITUATION

4500 P.S.I. CONC.  
REINF. 4X4 4/4 WIRE  
AND #4, GRADE 60 BARS



|                                     |                   |
|-------------------------------------|-------------------|
| <b>5000 Gal. GREASE INTERCEPTOR</b> |                   |
| DRAWN BY: KWD                       | APP'D BY: SN      |
| DATE: 1/24/07                       | SCALE: 1/4"=1'-0" |