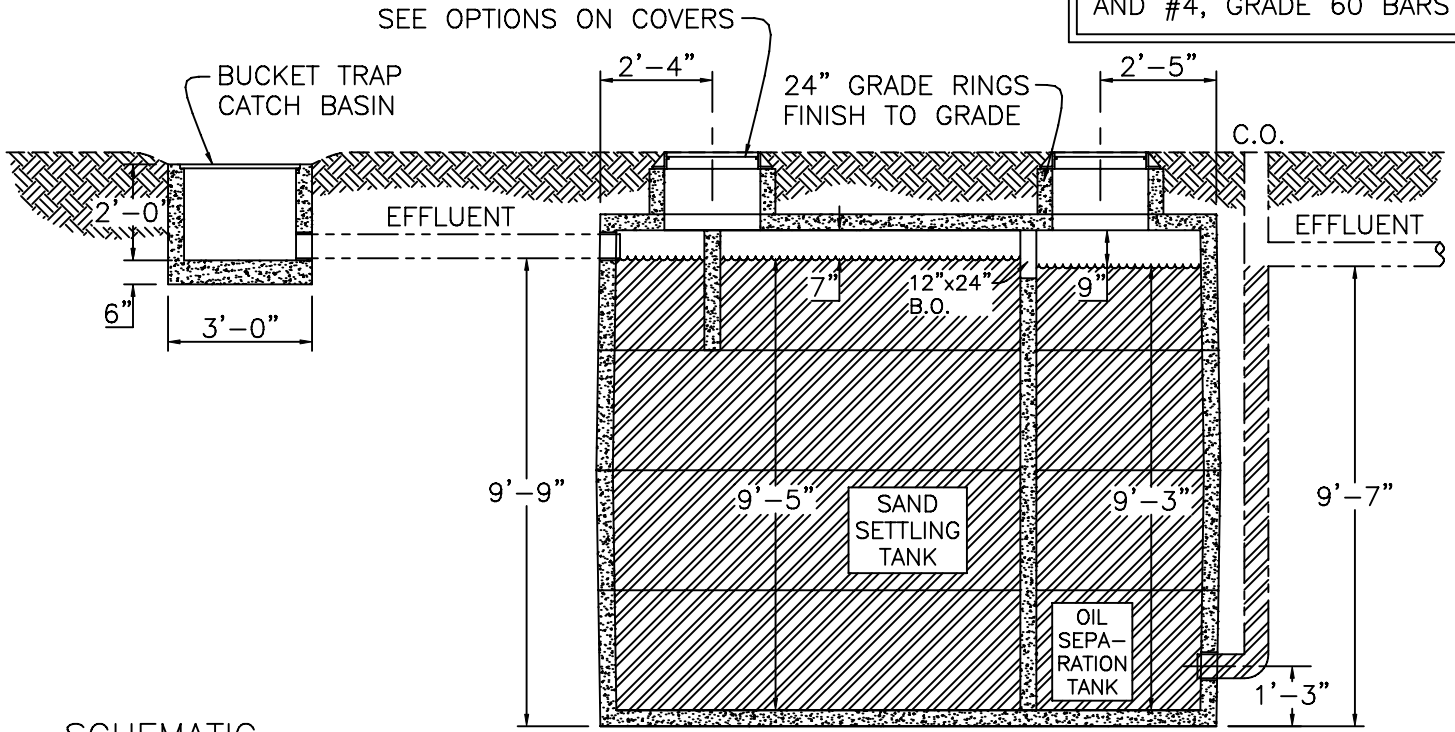




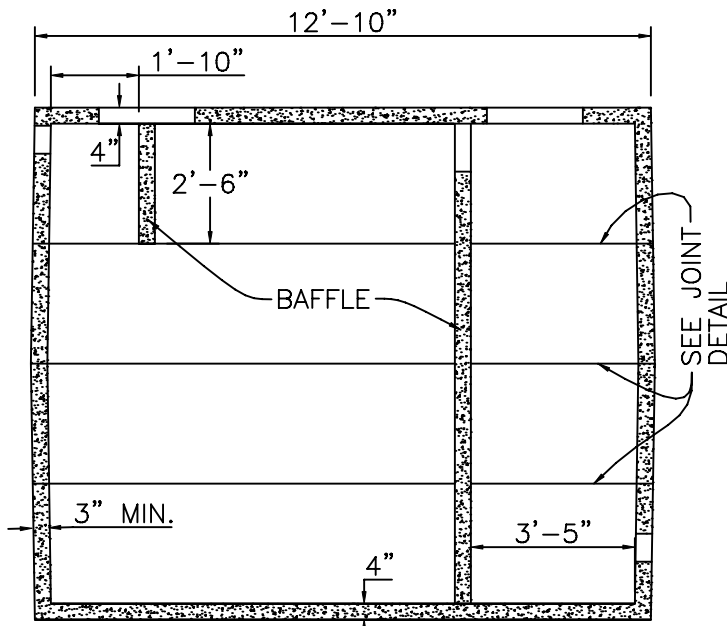
8650 Box Rd.
 Shreveport, LA 71106
 Phone: 318-869-2085
 Fax: 318-869-2098
 800-456-1970

DESIGN SPECIFICATION ASTM C 913.
 NOT DESIGNED FOR TRAFFIC LOADING.
 CALL US FOR SPECIAL SITUATION

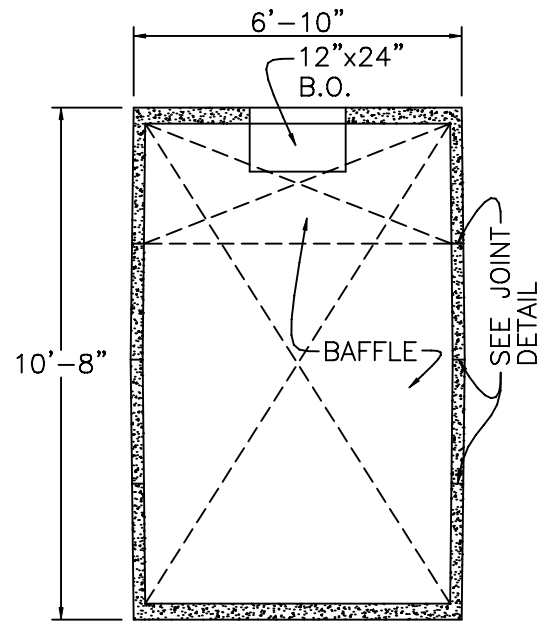
4500 P.S.I. CONCRETE
 REINF. 4x4 4/4 WIRE
 AND #4, GRADE 60 BARS



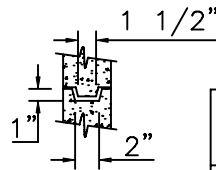
SCHEMATIC



LONG SECTION



CROSS SECTION



JOINT DETAIL

5000 Gal. SAND/OIL INTERCEPTOR	
DRAWN BY: KWD	APP'D BY: SN
DATE: 7-25-07	SCALE: 1/4"=1'-0"