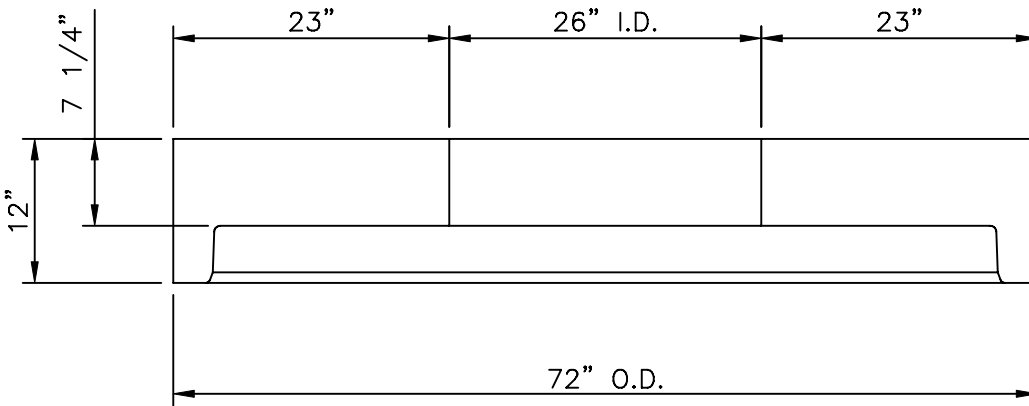
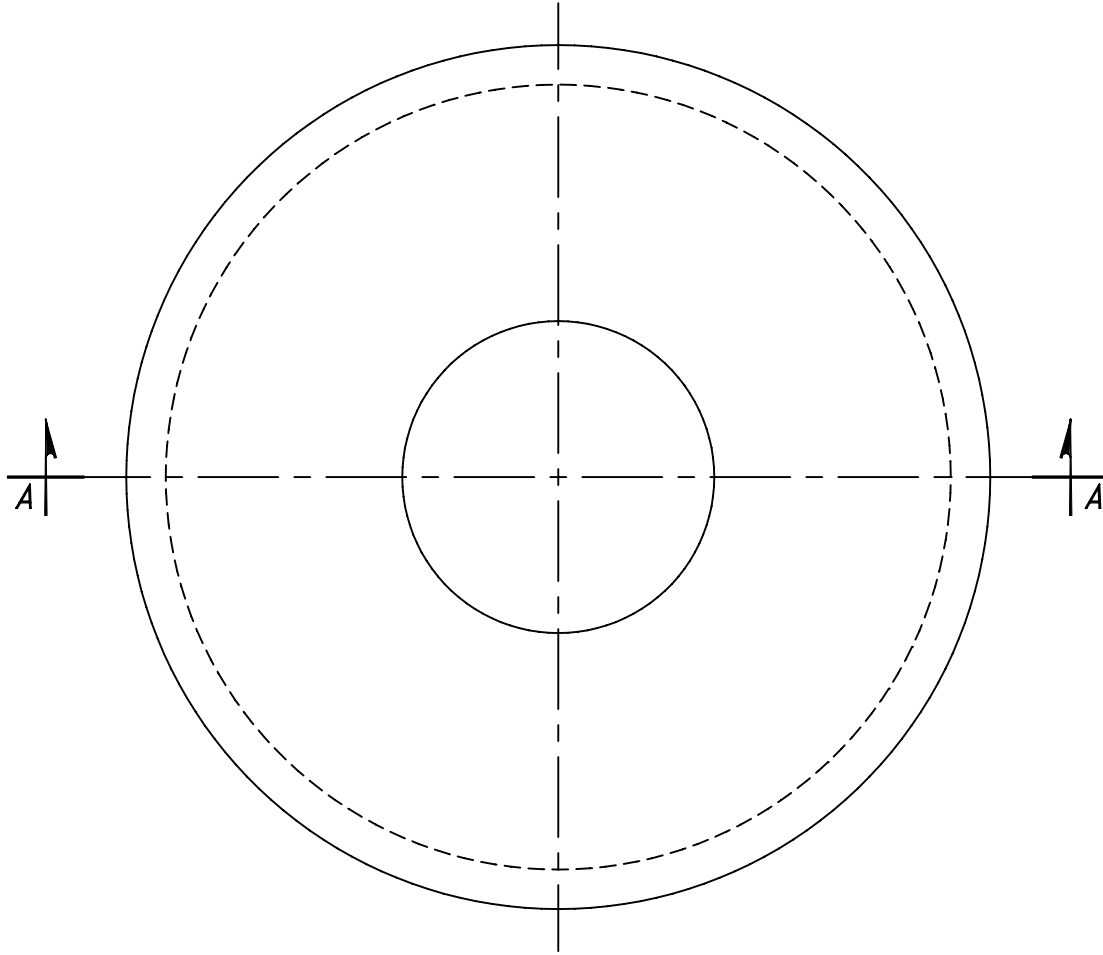




8650 Box Rd.
Shreveport, LA 71106
Phone: 318-869-2085
Fax: 318-869-2098
800-456-1970



SECTION "A"-"A"

4000 P.S.I. CONC.
REINF. ?

60"Øx12 FLAT TOP M.H.	
DRAWN BY: KWD	APP'D BY: SN
DATE: 1/4/07	SCALE: 3/4"=1'-0"