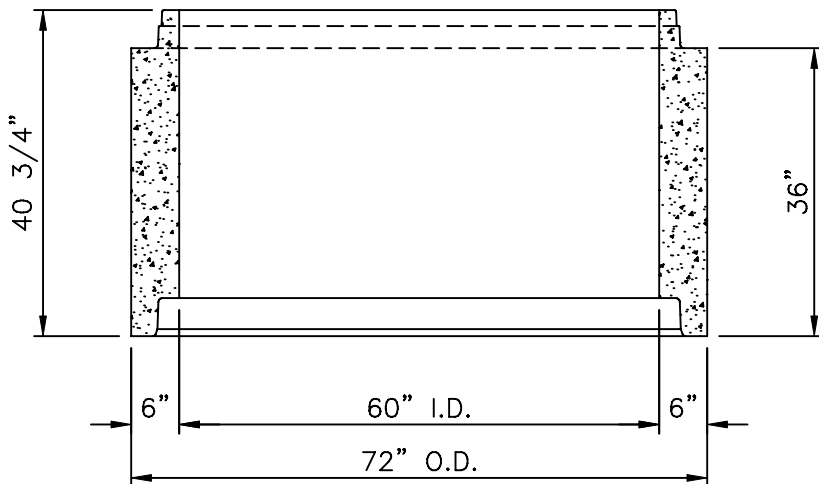
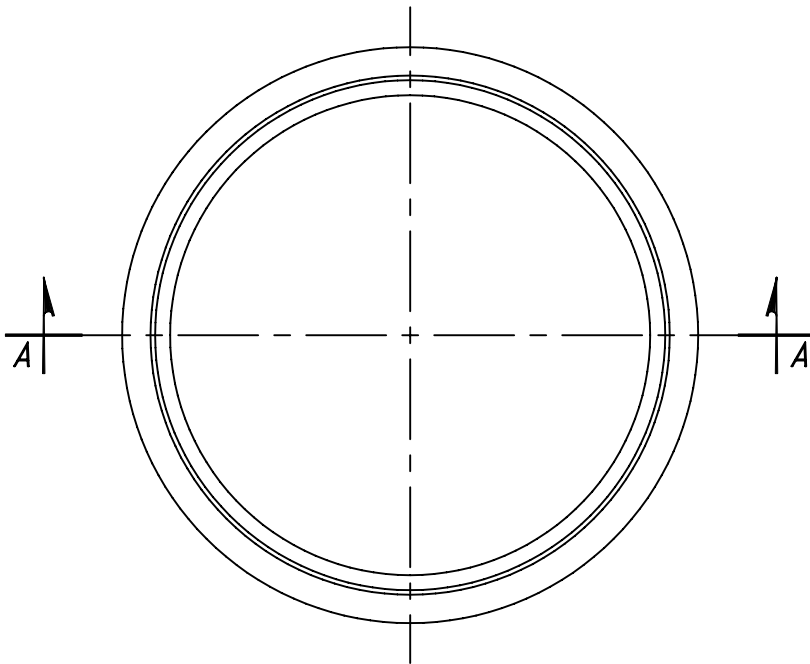




8650 Box Rd.  
 Shreveport, LA 71106  
 Phone: 318-869-2085  
 Fax: 318-869-2098  
 800-456-1970

**DESIGN & CONSTRUCTION NOTES**

1. PRECAST M.H. IS DESIGNED TO ASTM-C-478-88A
2. 5,000 PSI CONCRETE IN 28 DAYS.
3. REINFORCING STEEL WELDED WIRE FABRIC CONFORMS TO ASTM SPECIFICATION A1875.
4. ALL JOINTS SEAL WITH PRESS-SEAL G4 GASKETS
5. INTERIOR COATED WITH COAL TAR EPOXY 12-14 MILS.  
 EXTERIOR COATED WITH BITUMINOUS COATING 10 MILS.



SECTION "A"-"A"

**60"Øx36" RISER M.H.**

DRAWN BY: KWD

APP'D BY: SN

DATE: 1/4/07

SCALE: 1/2"=1'-0"