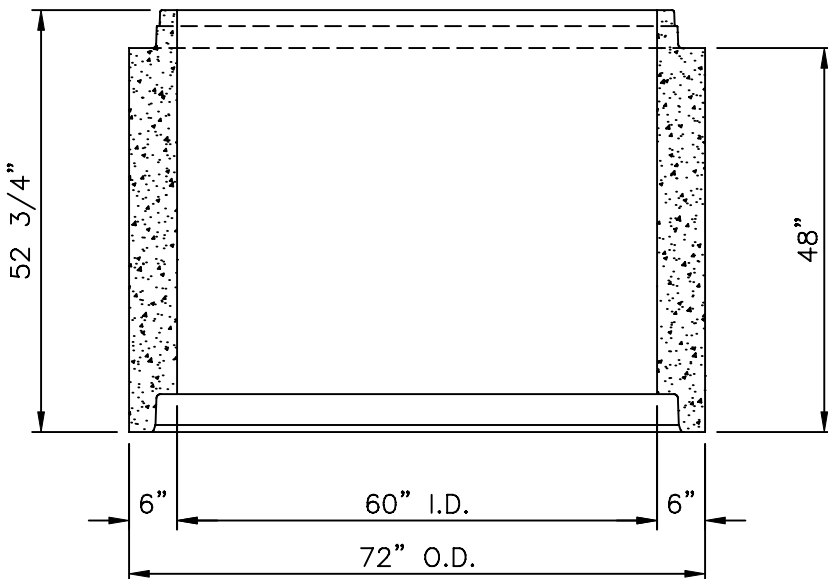
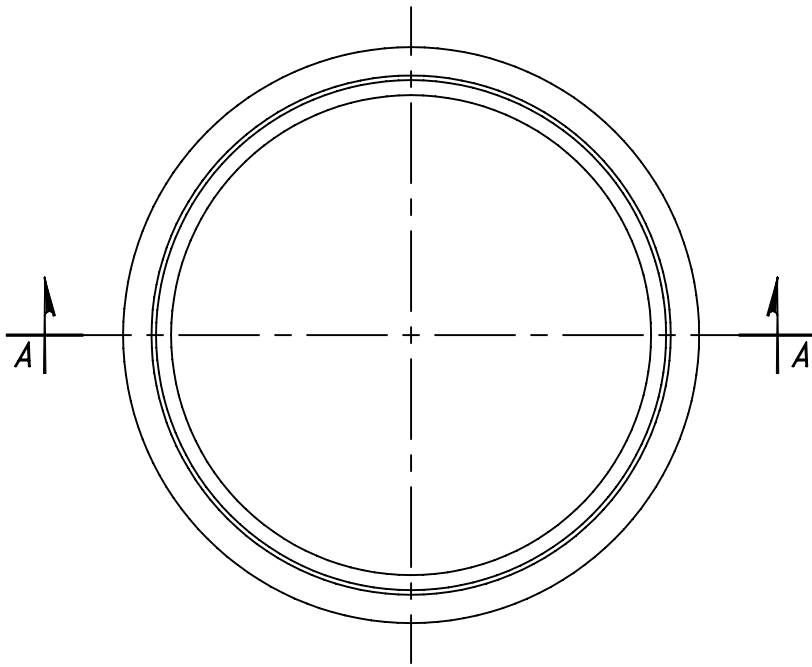




8650 Box Rd.
Shreveport, LA 71106
Phone: 318-869-2085
Fax: 318-869-2098
800-456-1970

DESIGN & CONSTRUCTION NOTES

1. PRECAST M.H. IS DESIGNED TO ASTM-C-478-88A
2. 5,000 PSI CONCRETE IN 28 DAYS.
3. REINFORCING STEEL WELDED WIRE FABRIC CONFORMS TO ASTM SPECIFICATION A1875.
4. ALL JOINTS SEAL WITH PRESS-SEAL G4 GASKETS
5. INTERIOR COATED WITH COAL TAR EPOXY 12-14 MILS.
EXTERIOR COATED WITH BITUMINOUS COATING 10 MILS.



SECTION "A"-"A"

60"Øx48" RISER M.H.

DRAWN BY: KWD

APP'D BY: SN

DATE: 1/4/07

SCALE: 1/2"=1'-0"