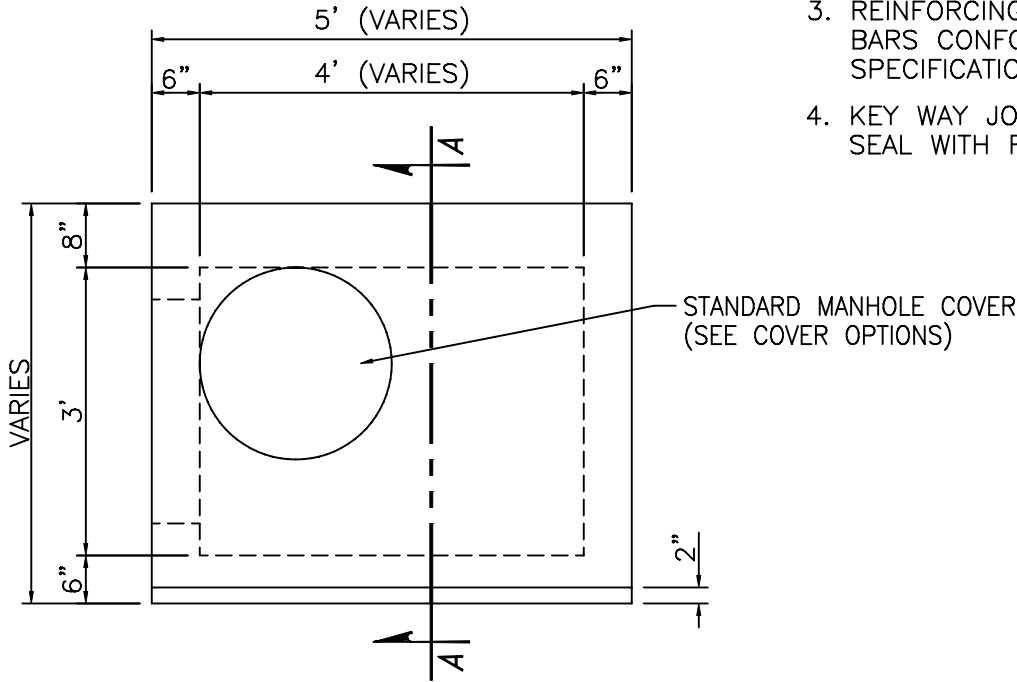




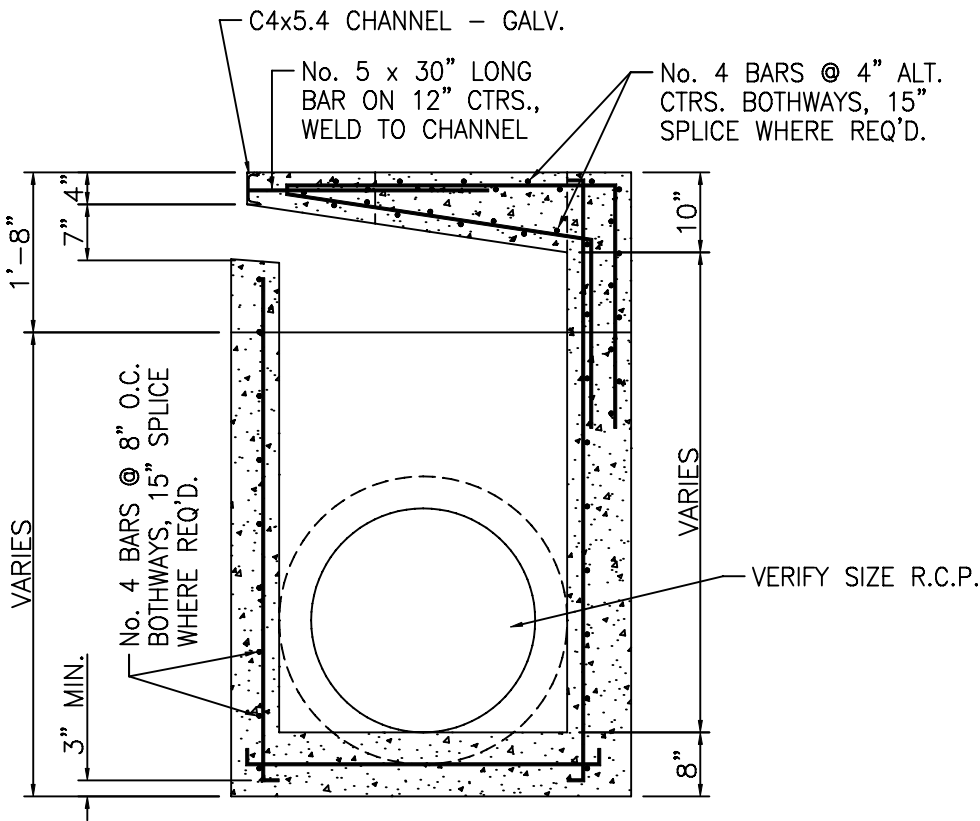
8650 Box Rd.
 Shreveport, LA 71106
 Phone: 318-869-2085
 Fax: 318-869-2098
 800-456-1970

DESIGN & CONSTRUCTION NOTES

1. MEETS SPEC. C913-02
2. 4,500 PSI CONCRETE IN 28 DAYS.
3. REINFORCING STEEL DEFORMED BARS CONFORMING TO ASTM SPECIFICATION A615
4. KEY WAY JOINTS ON TOP & RISER SEAL WITH RAM-NEK SEALANTS.



PLAN VIEW



SECTION "A"-"A"

CANTILEVER INLET

DRAWN BY: KWD

APP'D BY: SN

DATE: 8/17/07

SCALE: 1/2"=1'-0"